



British Electric Lamps
Looking to the future

lumina IP65

LED High/Low Bay

- Genuine replacement for 250/400W Metal Halide
- Suitable for High Bay and Low Bay applications 4 - 12m
- Ideal for food preparation & cold store areas when used with plastic cover (code: 08833/08834)
- IP65 Base Unit
- Anthracite finish
- Meanwell Driver
- Bridgelux LED
- 50000 Hours
- 5 Year Guarantee³



**ECA
COMPLIANT**

120W \approx 250W MH Energy Saving **52%**



180W \approx 400W MH Energy Saving **55%**

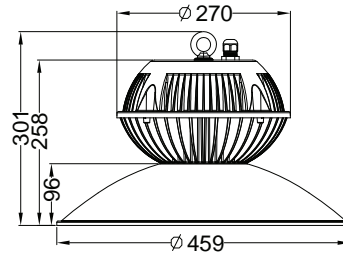
CRI-80¹
LMR -80²



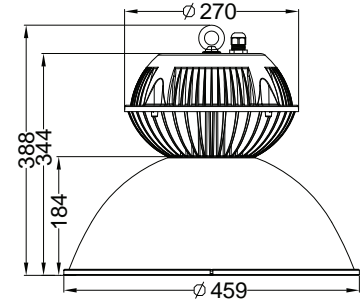


British Electric Lamps
Looking to the future

08825 120W 120°

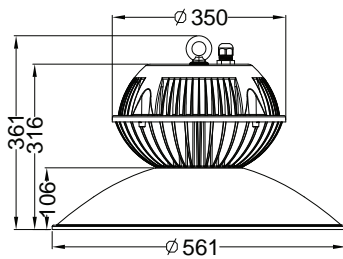


08825 120W 80°

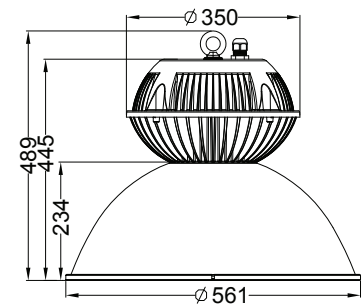


120W

08826 180W 120°

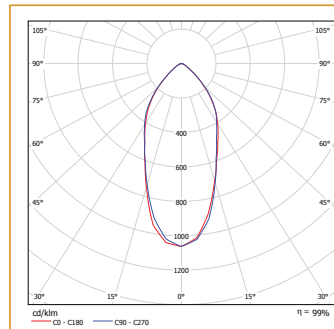


08826 180W 80°

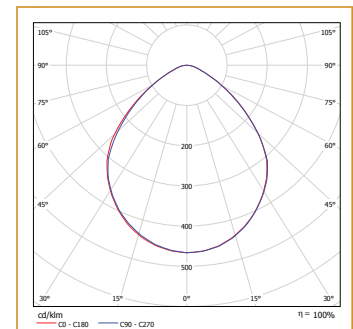


180W

08825 120W 120°



08826 180W 80°



Construction	Die Cast Aluminium Base
Driver	Meanwell
LED Chip	Bridgelux
IP Rating	IP65
Operating Temp	-30°C to +35°C
Input Voltage	100 - 240V
Power Factor	> 0.9

Code	W	Description	Lm	Temp	Weight Kg	Hours
08825	120	Illumina IP65 120W High Bay /Low Bay Base Unit	13000	4500K	4.46	50000
08826	180	Illumina IP65 180W High Bay /Low Bay Base Unit	17000	4500K	7.91	50000

Code	Description
08827	120° Aluminium Reflector for 120W Illumina IP65 High Bay / Low Bay
08828	90° Aluminium Reflector for 120W Illumina IP65 High Bay / Low Bay
08831	90° Polycarbonate Reflector for 120W Illumina IP65 High Bay / Low Bay
08833	Plastic Cover for 120W Illumina IP65 High Bay / Low Bay - Required for IP65 rating
08829	120° Aluminium Reflector for 180W Illumina IP65 High Bay / Low Bay
08830	90° Aluminium Reflector for 180W Illumina IP65 High Bay / Low Bay
08832	90° Polycarbonate Reflector for 180W Illumina IP65 High Bay / Low Bay
08834	Plastic Cover for 180W Illumina IP65 High Bay / Low Bay - Required for IP65 rating



¹ CRI - Colour Rendering Index
² LMR - Lumens Maintenance Ratio
³ Subject to terms & conditions